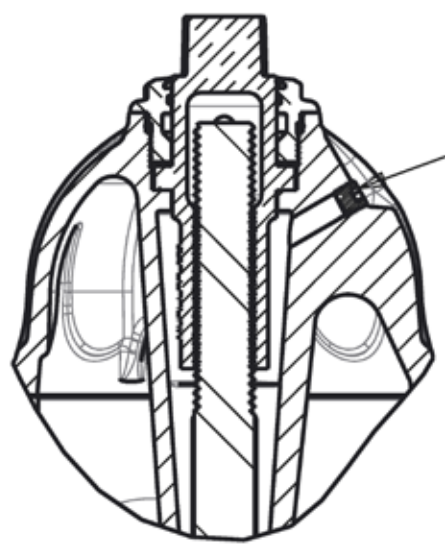


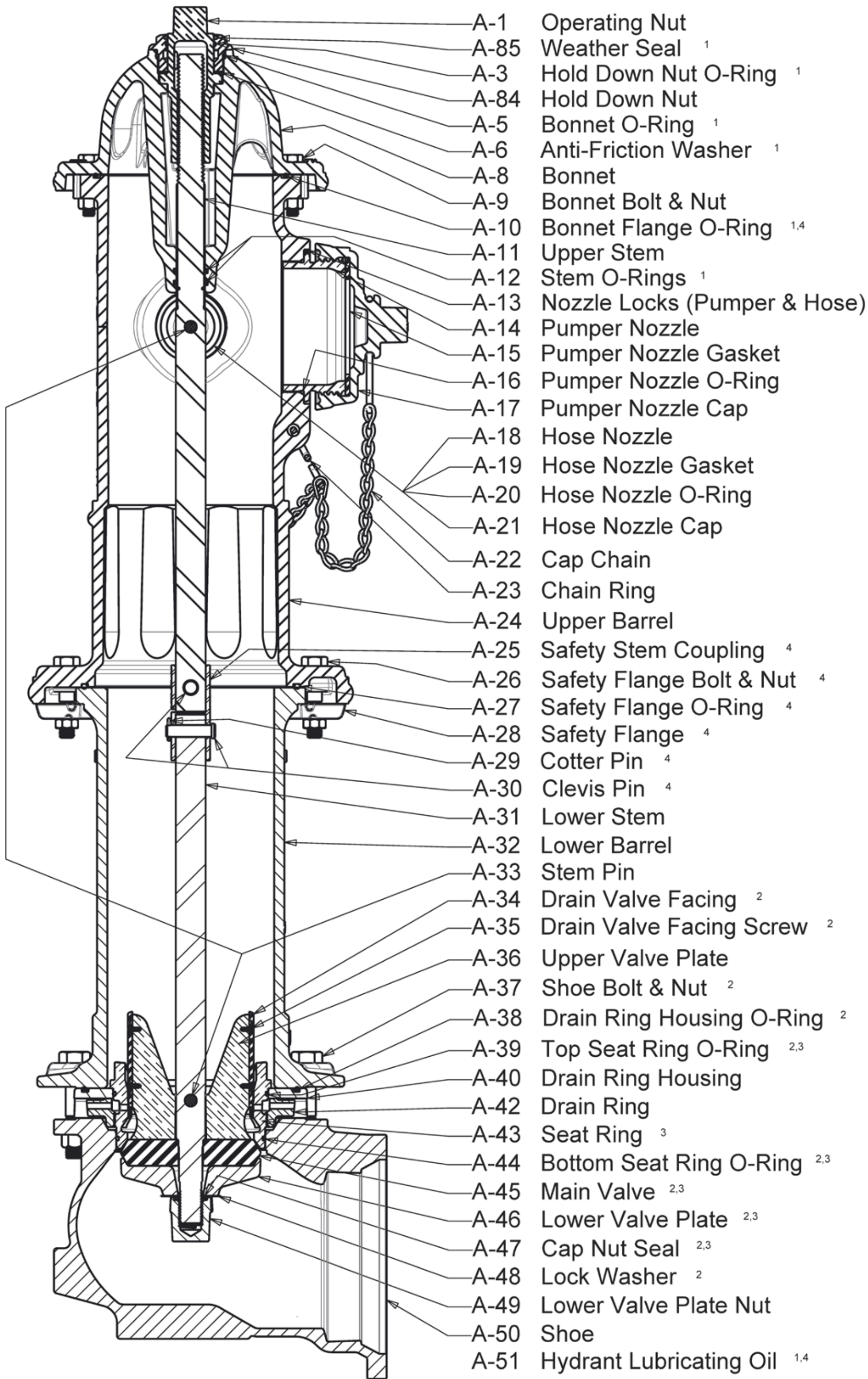
MUELLER® SUPER CENTURION 250™

Fire Hydrant Parts List

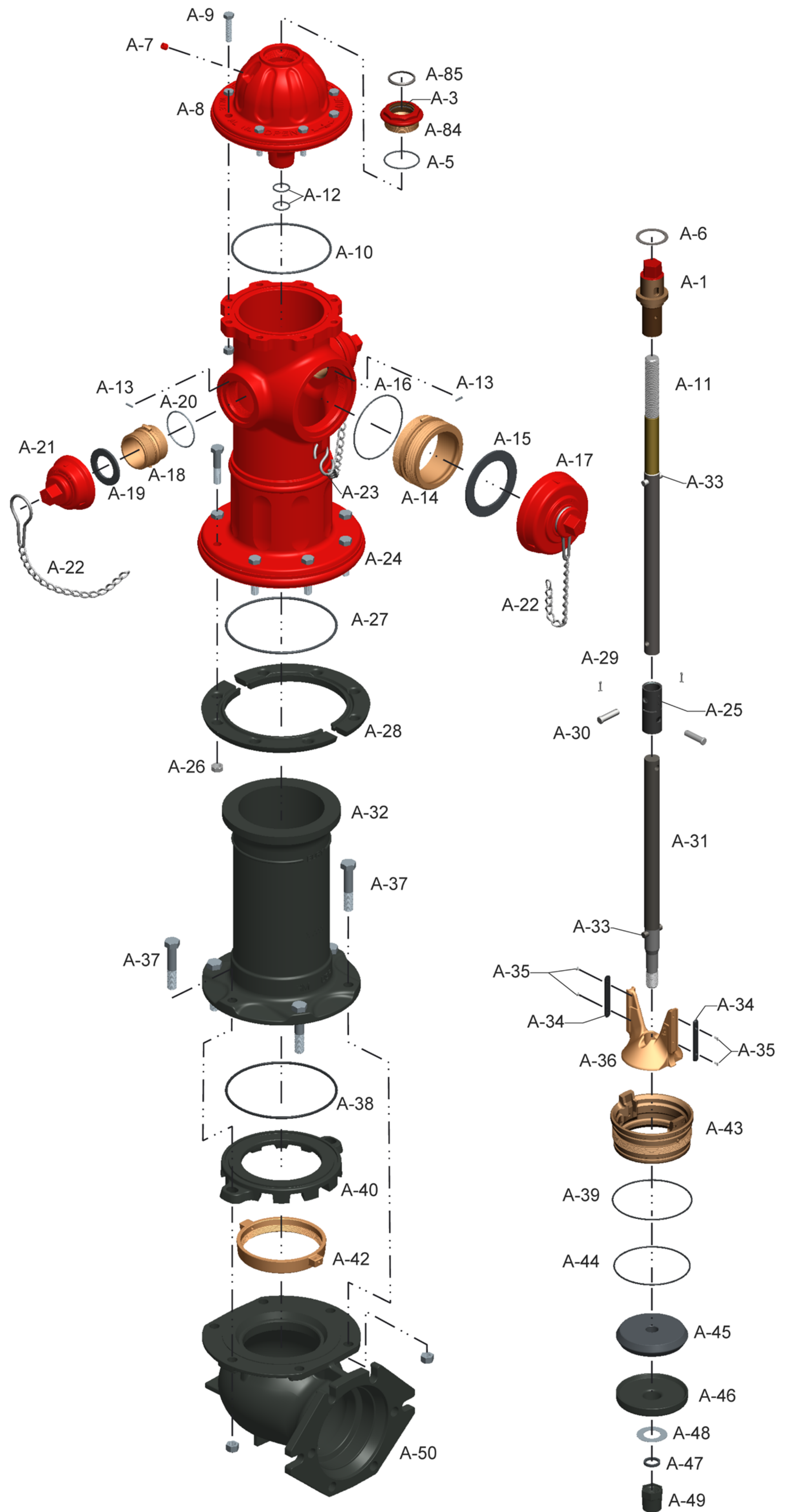
CROSS SECTION ROTATED TO VIEW OIL PLUG



A-7 Oil Filler Plug



- A-1 Operating Nut
- A-85 Weather Seal ¹
- A-3 Hold Down Nut O-Ring ¹
- A-84 Hold Down Nut
- A-5 Bonnet O-Ring ¹
- A-6 Anti-Friction Washer ¹
- A-8 Bonnet
- A-9 Bonnet Bolt & Nut
- A-10 Bonnet Flange O-Ring ^{1,4}
- A-11 Upper Stem
- A-12 Stem O-Rings ¹
- A-13 Nozzle Locks (Pumper & Hose)
- A-14 Pumper Nozzle
- A-15 Pumper Nozzle Gasket
- A-16 Pumper Nozzle O-Ring
- A-17 Pumper Nozzle Cap
- A-18 Hose Nozzle
- A-19 Hose Nozzle Gasket
- A-20 Hose Nozzle O-Ring
- A-21 Hose Nozzle Cap
- A-22 Cap Chain
- A-23 Chain Ring
- A-24 Upper Barrel
- A-25 Safety Stem Coupling ⁴
- A-26 Safety Flange Bolt & Nut ⁴
- A-27 Safety Flange O-Ring ⁴
- A-28 Safety Flange ⁴
- A-29 Cotter Pin ⁴
- A-30 Clevis Pin ⁴
- A-31 Lower Stem
- A-32 Lower Barrel
- A-33 Stem Pin
- A-34 Drain Valve Facing ²
- A-35 Drain Valve Facing Screw ²
- A-36 Upper Valve Plate
- A-37 Shoe Bolt & Nut ²
- A-38 Drain Ring Housing O-Ring ²
- A-39 Top Seat Ring O-Ring ^{2,3}
- A-40 Drain Ring Housing
- A-42 Drain Ring
- A-43 Seat Ring ³
- A-44 Bottom Seat Ring O-Ring ^{2,3}
- A-45 Main Valve ^{2,3}
- A-46 Lower Valve Plate ^{2,3}
- A-47 Cap Nut Seal ^{2,3}
- A-48 Lock Washer ²
- A-49 Lower Valve Plate Nut
- A-50 Shoe
- A-51 Hydrant Lubricating Oil ^{1,4}



- 1 - Available as part of Bonnet Repair Kit
- 2 - Available as part of Shoe Repair Kit
- 3 - Available as part of Main Valve Repair Kit
- 4 - Available as part of Safety Flange Repair Kit

TO ORDER PARTS, SPECIFY THE FOLLOWING:

Quantity, part number and name, size and catalog number of hydrant, direction of opening, depth of bury, and date (year) cast on hydrant.

QR tags provide access to hydrant data and documentation.



Smart Move™

Mueller Co.
633 Chestnut St., Suite 1200
Chattanooga, TN 37450
www.muellercompany.com

Phone: 1.423.209.4800
Toll Free: 1.800.423.1323
Canada: 1.705.719.9965
moreinfo@muellercompany.com