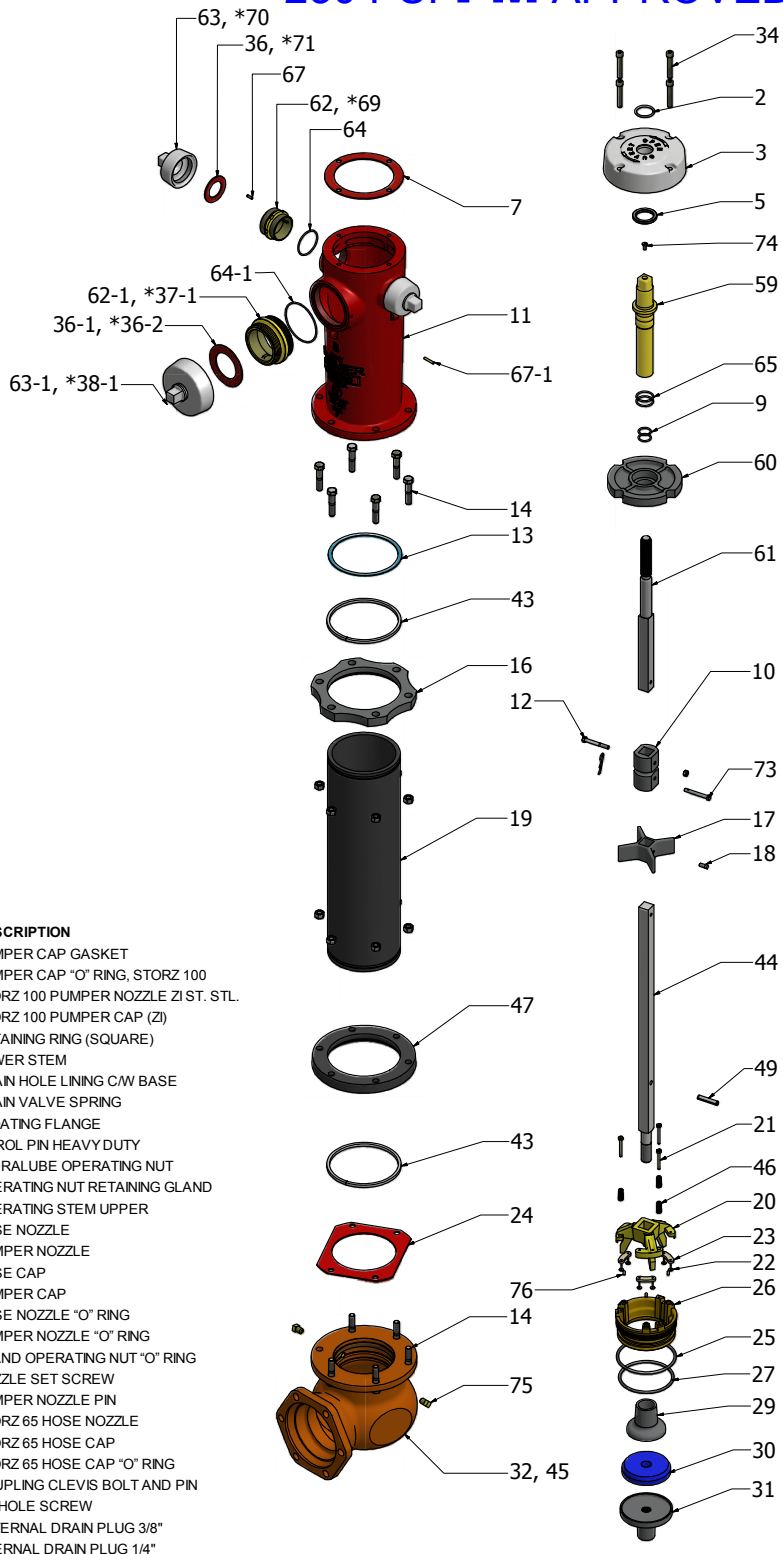
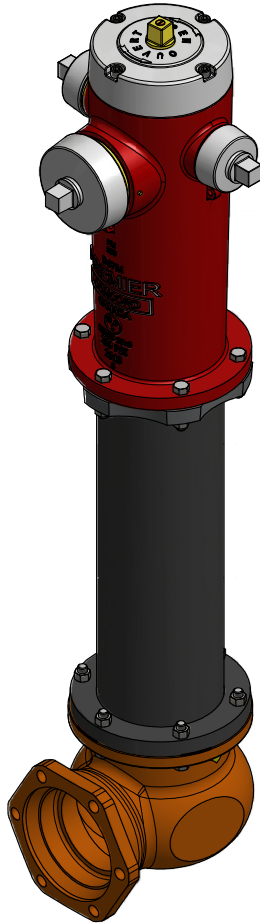


250 PSI **FM** APPROVED



- DESCRIPTION**
- 2 BONNET OPERATING NUT "O" RING
 - 3 BONNET
 - 5 OPERATING NUT BEARING
 - 7 BONNET GASKET
 - 9 HOUSING OPERATING NUT "O" RING
 - 10 BREAK COUPLING
 - 11 HYDRANT BODY
 - 12 HEX HEAD BOLT & NUT (COUPLING)
 - 13 HYDRANT BODY RING GASKET
 - 14 HEX HEAD BOLT & NUT (INTERSECTION))
 - 16 BREAKING FLANGE
 - 17 STEM GUIDE
 - 18 STEM GUIDE SET SCREW
 - 19 INTERMEDIATE SECTION
 - 20 DRAIN VALVE TRIPOD
 - 21 DRAIN VALVE SCREW
 - 22 DRAIN VALVE RIVET
 - 23 DRAIN VALVE RUBBER
 - 24 INTERMEDIATE GASKET
 - 25 M.V. SEAT UPPER "O" RING
 - 26 MAIN VALVE SEAT
 - 27 M.V. SEAT LOWER "O" RING
 - 29 VALVE CARRIER
 - 30 MAIN VALVE RUBBER or BLUE POLY
 - 31 LOWER VALVE PLATE
 - 32 BASE (STATE INLET REQUIRED)
 - 34 BONNET ALLEN SCREW
 - 36 HOSE CAP GASKET

- DESCRIPTION**
- 36-1 PUMPER CAP GASKET
 - *36-2 PUMPER CAP "O" RING, STORZ 100
 - *37-1 STORZ 100 PUMPER NOZZLE ZI ST. STL.
 - *38-1 STORZ 100 PUMPER CAP (ZI)
 - 43 RETAINING RING (SQUARE)
 - 44 LOWER STEM
 - 45 DRAIN HOLE LINING C/W BASE
 - 46 DRAIN VALVE SPRING
 - 47 FLOATING FLANGE
 - 49 SPIROL PIN HEAVY DUTY
 - 59 HYDRALUBE OPERATING NUT
 - 60 OPERATING NUT RETAINING GLAND
 - 61 OPERATING STEM UPPER
 - 62 HOSE NOZZLE
 - 62-1 PUMPER NOZZLE
 - 63 HOSE CAP
 - 63-1 PUMPER CAP
 - 64 HOSE NOZZLE "O" RING
 - 64-1 PUMPER NOZZLE "O" RING
 - 65 GLAND OPERATING NUT "O" RING
 - 67 NOZZLE SET SCREW
 - 67-1 PUMPER NOZZLE PIN
 - *69 STORZ 65 HOSE NOZZLE
 - *70 STORZ 65 HOSE CAP
 - *71 STORZ 65 HOSE CAP "O" RING
 - 73 COUPLING CLEVIS BOLT AND PIN
 - 74 OIL HOLE SCREW
 - *75 EXTERNAL DRAIN PLUG 3/8"
 - *76 INTERNAL DRAIN PLUG 1/4"

*OPTIONAL PARTS



Ref. Stelem	Description	Ref. manufacturer
20301	Operating nut	59
20302	Bonnet "O" ring	2
20303	Lubricating screw	M7
20305	Bonnet	3
20306	Bonnet gasket	7
20307	Bonnet allen screw	34
20310	Delrin washer bearing	5
20315	Operating nut retaining gland	60
20317	Operating sleeve "O" ring	65
20318	Lower "O" ring	9
20320	Upper stem	61
20325	Hose nozzle 2 1/2"	62
20326	Nozzle pin	67
20327	Hose nozzle "O" ring	64
20330	Hose cap 2 1/2"	63
20331	Hose cap gasket 2 1/2"	36
20332	Retaining chain with hook and ring	40
20333	Retaining cable ring	40/1
20335	Pumper nozzle	62-1
20335-stz-i	Pumper nozzle Storz	37-1
20336	Pumper nozzle "O" ring	64
20337	Nozzle pin	66
20340	Pumper nozzle cap	
20340-stz-i	Storz pumper nozzle cap	38-1
20341	Hose cap gasket	
20341-stz	Storz cap "O" ring	68
20345	Safety coupling	10
20346	Extension coupling	57
20347	Coupling bolt & nut	12
20350-1	Body 2H	11
20350-2	Upper barrel 2H1P red	11
20354	Flange gasket	13
20355	Floating flange	47
20356	Safety flange	16
20357	Flange bolt & nut	14
20359	Retaining ring	43
20360	Lower stem	44
20365	Stem guide	17
20366	Stem guide bolt	18
20367	Coil spring pin lower stem	49
20370	Main valve seat	26
20371	Main valve seat upper "O" ring	25
20372	Main valve seat lower "O" ring	27
20373	Drain plug	
20375	Drain valve	20
20376	Drain valve screw	21
20377	Drain valve spring	46
20378	Drain valve disc	23
20379	Drain valve rivet	22
20380	Main valve disc	30
20381	Valve ball top	29
20385	Valve ball bottom	31