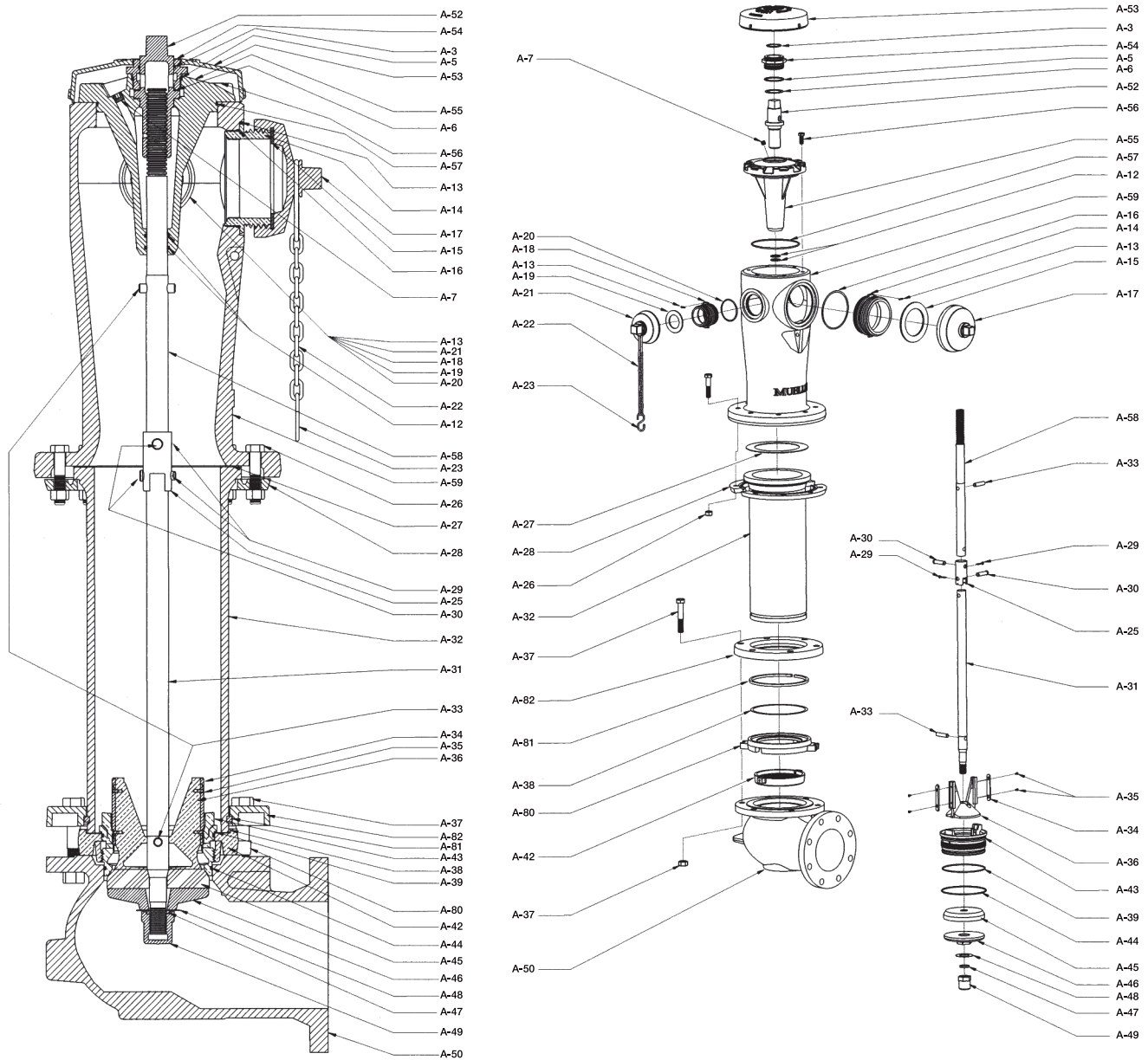


MUELLER® MODERN CENTURION® FIRE HYDRANT PARTS



CAT. NO.	PART NO.	QTY. PER	DESCRIPTION
A-3	194898	1	Hold down nut inside O-ring
A-5	142779	1	Hold down nut outside O-ring
A-6	195546	1	Anti-friction washer
A-7	194932	1	Oil plug
A-12	194514	2	Stem O-ring
A-13	143137	3	Nozzle lock
A-14	****	1	Pumper nozzle
A-15	****	1	Pumper nozzle gasket
A-16	142781	1	Pumper nozzle O-ring
A-17	****	1	Pumper nozzle cap
A-18	****	2	Hose nozzle
A-19	****	2	Hose nozzle gasket
A-20	142847	2	Hose nozzle O-ring
A-21	****	2	Hose nozzle cap
A-22	142987	3	Cap chain
A-23	142988	3	Cap chain "S" hook
A-25	190350	1	Safety coupling
A-26	190073	8	Safety flange bolt
	190939	8	Safety flange nut
A-27	192328	1	Safety flange gasket

CAT. NO.	PART NO.	QTY. PER	DESCRIPTION
A-28	175211	1	Safety flange
A-29	195235	2	Cotter pin
A-30	195234	2	Clevis pin
A-31	****	1	Lower stem
A-32	****	1	Lower barrel
A-33	195347	2	Stem pin
A-34	142811	2	Drain valve facing
A-35	142812	4	Drain valve screw
A-36	184055	1	Upper valve plate (includes A-34 & A-35)
A-37	374620	6	Shoe bolt
	193814	6	Shoe nut
A-38	374005	1	Drain ring housing gasket
A-39	195033	1	Seat ring top O-ring
A-42	142804	1	Drain ring
A-43	142764	1	Seat ring (Draining)
	142965	1	Seat ring (Non-draining)
A-44	142893	1	Seat ring bottom O-ring
A-45	192913	1	Main valve
A-46	175233-1	1	Lower valve plate
A-47	195547	1	Cap nut seal

CAT. NO.	PART NO.	QTY. PER	DESCRIPTION
A-48	142845	1	Lock washer
A-49	142771	1	Lower valve plate nut
A-50	****	1	Shoe (M.J, Slip On, or Flanged)
A-52	****	1	Operating nut
A-53	142925	1	Weather cap (Open left)
	142926	1	Weather Cap (Open right)
A-54	142927	1	Hold down nut (Open left)
	142928	1	Hold down nut (Open right)
A-55	142929	1	Housing (Open left)
	142952	1	Housing (Open right)
A-56	45314	6	Housing bolt
A-57	142953	6	Top housing O-ring
A-58	374526	1	Upper stem (Open left)
	374527	1	Upper stem (Open right)
A-59	143476P	1	Upper barrel (3-way)
	143477P	1	Upper barrel (2-way)
A-80	374003	1	Drain ring housing
A-81	374004	1	Retaining ring
A-82	374000	1	Barrel flange

Part #'s marked with (****) are to be specified by customer

Ref. Stelem	Description	Ref. manufacturer
4101	Operating nut	A-52
4102	Hold down nut "O" ring (inside)	A-3
4103	Hold down nut	A-54
4104	Hold down nut bonnet "O" ring (outside)	A-5
4105	Dome	A-53
4110	Anti-friction washer	A-6
4114	Oil filler plug	A-7
4115	Cone	A-55
4116	Cone upper "O" ring	A-57
4117	Cone bolt	A-56
4118	Cone "O" ring	A-12
4120	Upper stem	A-58
4122	Stem pin (upper)	A-33
4125	Hose nozzle 2 1/2"	A-18
4126	Hose nozzle "O" ring	A-20
4127	Lock pin	A-13
4130	Hose nozzle cap	A-21
4131	Hose nozzle gasket	A-19
4132	Retaining chain with hook and ring	A-22
4135	Pumper nozzle	A-14
4136	Pumper nozzle "O" ring	A-16
4140	Pumper nozzle cap (gasket included)	A-17
4141	Pumper nozzle cap gasket	A-15
4145	Coupling	A-25
4146	Coupling clevis	A-30
4147	Clevis pin	A-29
4150	Upper barrel	A-59
4155	Safety flange	A-28
4157	Safety flange gasket	A-27
4158	Safety flange bolt and nut	A-26
4160	Lower stem	A-31
4170	Main valve seat	A-43
4171	Upper main valve seat "O" ring	A-39
4172	Lower main valve seat "O" ring	A-44
4173	Drain plug	
4175	Drain valve	A-36
4176	Drain valve facing	A-34
4177	Drip valve facing screws	A-35
4180	Main valve disc	A-45
4185	Lower valve plate	A-46
4186	Cap nut gasket	A-47
4187	Cap washer bolt	A-48
4188	Cap bolt	A-49
4195-jm	Boot	A-50